



INDUSTRIAL VALVES

# CARBON DIOXIDE CYLINDER VALVE

*for small cylinders*

KEY FEATURES:

- Reliable design
- Easy operation
- Ergonomic handwheel
- Equipped with safety burst disc and signal disc to indicate burst disc activation



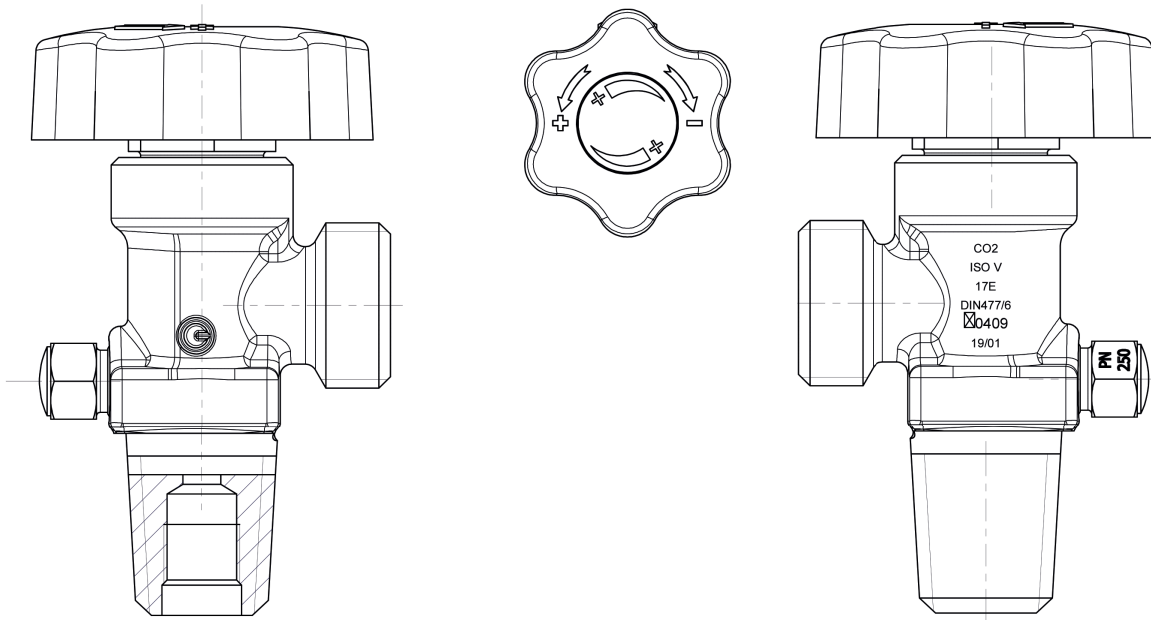
## TECHNICAL DATA

Inlet:	variants
Outlet:	CGA 320
Dip tube thread:	1/4 NPT
Seat diameter:	0 5/32 in
Bursting disc:	3600 psi
Signal disc:	blue

## CARBON DIOXIDE CYLINDER VALVE

A smaller sized cylinder valve is ideal for small cylinders used mainly in water treatment, in-home brewing, carbonation systems and hobby aquariums.

Part No.	Description
2777001	Carbon Dioxide Valve



GCE Group  
[www.gcegroup.com](http://www.gcegroup.com)  
[us.gcegroup.com](http://us.gcegroup.com)

Please contact us for technical/sales support on addresses below:

**ESAB Welding & Cutting Products - UNITED STATES**  
 2800 Airport Road  
 Denton, TX 76207  
 Product information and support line: 1-800-ESAB-123 (1-800-372-2123)  
 Customer Care: 1-800-426-1888  
[www.esab.na.com](http://www.esab.na.com)

**ESAB Welding & Cutting Products - Canada**  
 6200 Cantay Road, Unit 20  
 Mississauga, Ontario  
 L5R 3Y9  
 Tel: (905) 670-0220  
 Toll-free: (877) 935-3226